

G.T.POWER_{Co}

**HIGH POWER 3W FLIGHT SIMULATED
AND FLASHING LIGHT SYSTEM**

OPERATING INSTRUCTION

Thanks for purchasing this product. To reach your ideal effect, please read the manual carefully. This RC flight lighting system is the simulation of large passenger aircraft, helicopter and fighter public lighting group. It is easy to install and operate, and welcomed by most RC car amateurs.

【Features】

1. It's designed according to the standard of aircraft lights which makes your aircraft more realistic and shine.
2. Eight light group interfaces, red anti-collision lights, white flashing lights, navigation lights (left side is red, right side is green), landing lights.
3. Eight operating modes, which can be connected to any switched channel on remote control for mode conversion.
4. Low voltage detection function: when the battery voltage is lower than 6.8V, all lights flashing.

【Contents】

1. 5mm white light×5 pcs, 5mm green light×1 pc, 5mm red light×2 pcs;
2. Control box x 1pc
3. 3M sticker
4. Accessories bag x 8pcs
5. Operating manual x 1pc

【Specification】

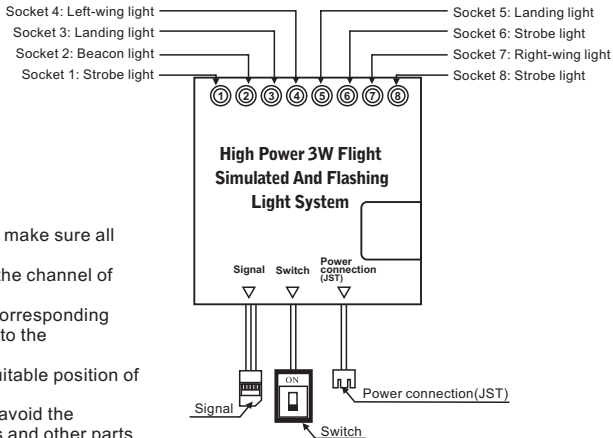
- | | |
|--|-----------------------------|
| 1. Input voltage: power supplied by 2S lithium battery | 6. Switch wire length: 25cm |
| 2. Working current: 1200mA. | 7. Signal wire length: 30cm |
| 3. LED wire length: 80cm. | 8. Dimension: 55x52mm |
| 5. Power connection wire length: 30cm. | 9. Weight: 100g |

【Main control box】

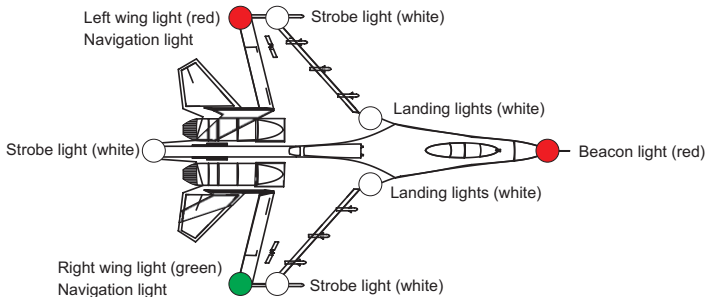
Socket 1: Strobe light
Socket 2: Beacon light
Socket 3: Landing light
Socket 4: Left-wing light
Socket 5: Landing light
Socket 6: Strobe light
Socket 7: Right-wing light
Socket 8: Strobe light

【How to install】

1. First of all check accessories to make sure all the parts are included.
2. Use the connect wire to switch the channel of remote control.
3. Connect each light wire to the corresponding socket in control box according to the requirements of control.
4. Stick main control box on the suitable position of the aircraft.
5. Make all the light wires fixed to avoid the interference between light wires and other parts of the aircraft.
6. Fix all the wires and check whether they are set correctly.



【Connection diagram of the light location】



LED light could be installed flexibly, according to your preference.

【Product model】

After connecting the wires, enter the operating modes. Through the control of remote control switch can enter into the 8 operating modes.

Mode 1: Civil aviation standards; the left red light and the right green light are always on, the flashing lights are flashing in highest speed, the beacon light is flashing in highest speed at a certain frequency, the landing lights are off or on circularly.

Mode 2: Civil aviation standards; the left red light , the right green light and the flashing lights are flashing in highest speed at a certain frequency, the beacon light is flashing in highest speed at a certain frequency, the landing lights are off or on circularly.

Mode 3 and Mode 4: Flash alternately; left side flash two times, right side flash two times, changing differently.

Mode 5: The left red light, the right green light and the flashing lights are always on, the beacon light is flashing in highest speed at a certain frequency, the landing lights are off or on circularly.

Mode 6: Emergency forced landing light flashing mode; all the lights are quickly flashing in highest speed at a certain frequency.

Mode 7: Normal cruise flashing, with all the lights flash slowly.

Mode 8: All the lights are on.

Mode 9: All the lights are off.

【Note】

1. Please read the manual carefully before setting up the product.
2. Please don't use the power supply that is over the safe voltage.
3. Please avoid water while using in case of short-circuits.
4. Please keep this manual for reference at any time.

【Warranty and service】

We warrant this product for a period of one year (12 months) from the date of purchase. The guarantee applies only to such material or operational defects, which are present at the time of purchasing the product. During that period, we will replace without service charge any product deemed defective due to those causes. You will be required to present proof of purchase (invoice or receipt). This warranty does not cover the damage due to wear, overloading, improper handling or using of incorrect accessories.